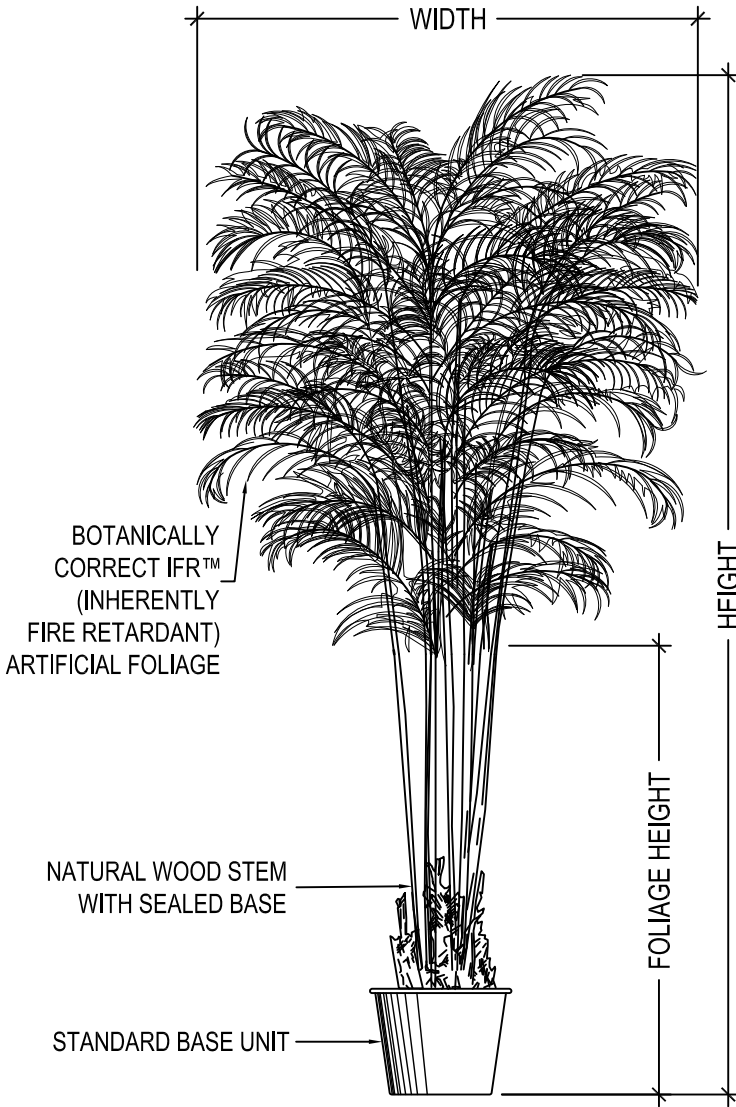


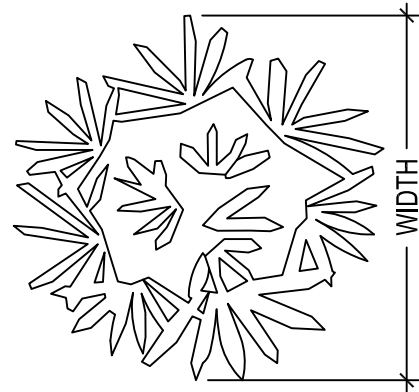
Commercial Silk Int'l



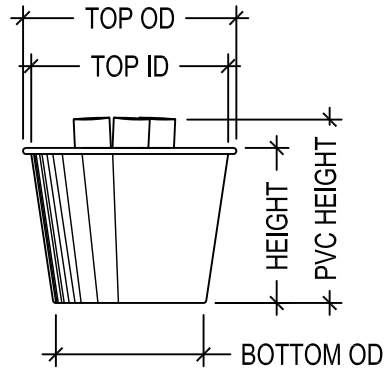
A division of Plantscape Inc.
 800-241-2718 952-934-7666 fax 952-934-3807
 6300 Bury Drive, Minneapolis, MN 55346 USA
 www.commercialsilk.com



ELEVATION



PLAN

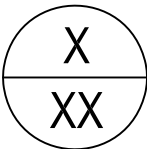


STANDARD BASE UNIT

TREE									
ITEM ID	HEIGHT:	WIDTH:	STEM TYPE:	FOLIAGE HEIGHT:	STANDARD BASE UNIT				
					TOP OD:	TOP ID:	BOTTOM OD:	HEIGHT:	PVC HEIGHT:
BUTCX0	10'	66"	MULTI	48"	14 1/4"	13 3/8"	11 1/2"	12"	NA
BUTCX2	12'	78"	MULTI	52"	16 1/2"	15 1/4"	13 1/2"	14 1/4"	NA

NOTES:

1. BOTANICALLY CORRECT IFR™ (INHERENTLY FIRE RETARDANT) ARTIFICIAL FOLIAGE SHALL COMPLY WITH CALIFORNIA TITLE 19, US GOV SIN 4722-06 FLAMMABILITY CODE, NFPA 701, NFPA 705, AND QUALIFY AS "CLASS A" FIRE RETARDANT MATERIAL AS TESTED BY ASTM E84-95.



LARGE ARTIFICIAL TREE - BUTTERFLY PALM

NOT TO SCALE