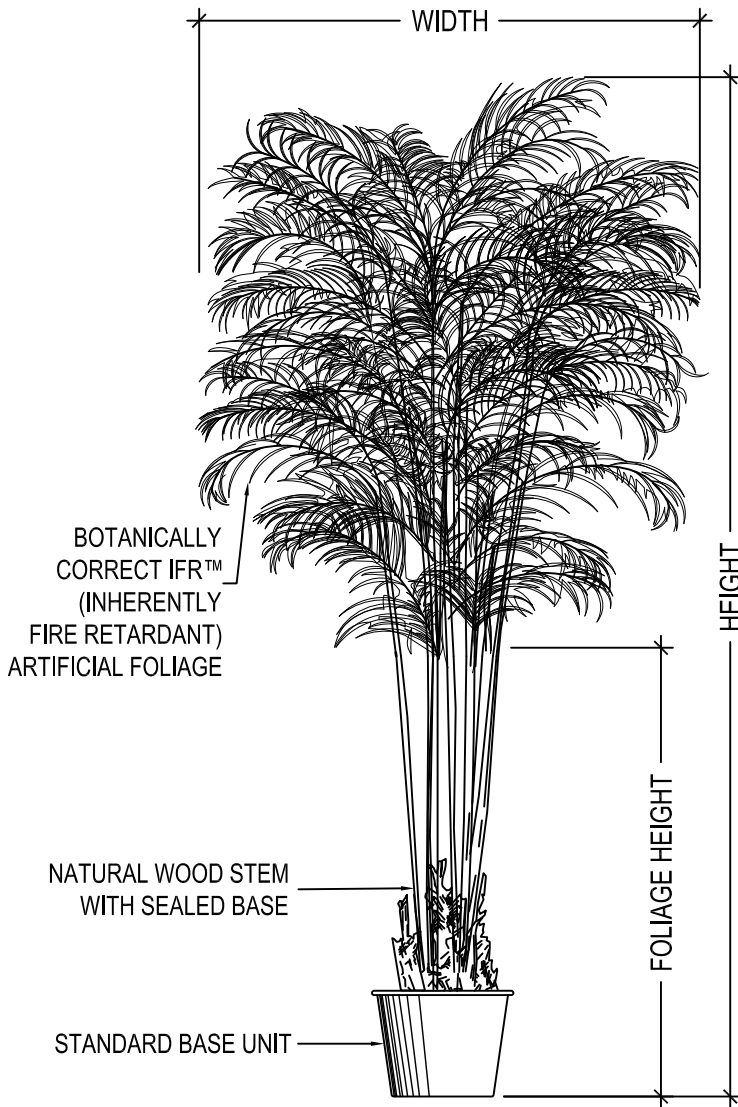


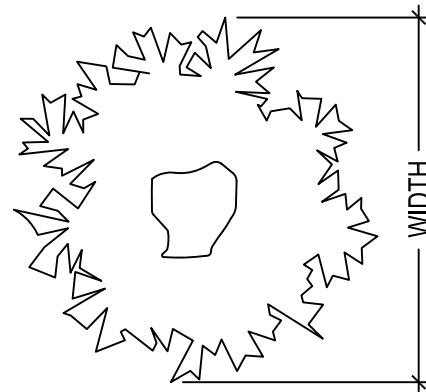
# Commercial Silk Int'l



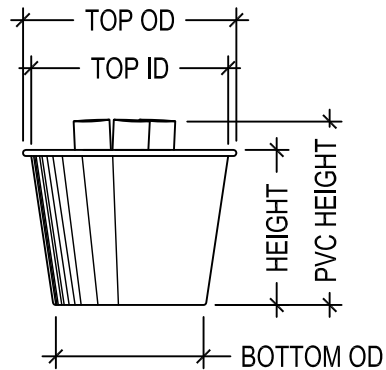
A division of Plantscape Inc.  
 800-241-2718 952-934-7666 fax 952-934-3807  
 6300 Bury Drive, Minneapolis, MN 55346 USA  
 www.commercialsilk.com



**ELEVATION**



**PLAN**



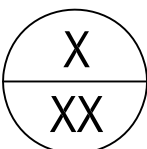
**STANDARD BASE UNIT**

**TREE**

ITEM ID	HEIGHT:	WIDTH:	STEM TYPE:	FOLIAGE HEIGHT:	STANDARD BASE UNIT				
					TOP OD:	TOP ID:	BOTTOM OD:	HEIGHT:	PVC HEIGHT:
FPG1X6#	16'	8'	SINGLE	8.5'	22 1/4"	20"	17"	17 1/2"	NA
FPG1X8#	18'	9'	SINGLE	9'	22 1/4"	20"	17"	17 1/2"	NA
FPG1Y0#	20'	10'	SINGLE	10.5'	22 1/4"	20"	17"	17 1/2"	NA
FPG1Y2#	22'	11'	SINGLE	11'	29 1/2"	24"	21"	18 1/2"	NA
FPG1Y4#	24'	12'	SINGLE	12'	29 1/2"	24"	21"	18 1/2"	NA
FPG1Y6#	26'	13'	SINGLE	11'	29 1/2"	24"	21"	18 1/2"	NA
FPG1Y8#	28'	14'	SINGLE	12'	29 1/2"	24"	21"	18 1/2"	NA
FPG1Z0#	30'	15'	SINGLE	13'	29 1/2"	24"	21"	18 1/2"	NA
FPG1Z2#	32'	16'	SINGLE	14'	34 1/2"	28 1/4"	23 5/8"	19 1/2"	NA
FPG1Z4#	34'	16'	SINGLE	15'	34 1/2"	28 1/4"	23 5/8"	19 1/2"	NA
FPG1Z6#	36'	16'	SINGLE	16'	38 1/8"	32 3/4"	31 1/8"	18 3/8"	NA

**NOTES:**

1. BOTANICALLY CORRECT IFR™ (INHERENTLY FIRE RETARDANT) ARTIFICIAL FOLIAGE SHALL COMPLY WITH CALIFORNIA TITLE 19, US GOV SIN 4722-06 FLAMMABILITY CODE, NFPA 701, NFPA 705, AND QUALIFY AS "CLASS A" FIRE RETARDANT MATERIAL AS TESTED BY ASTM E84-95.



## LARGE ARTIFICIAL TREE – GIANT FISHTAIL PALM

NOT TO SCALE