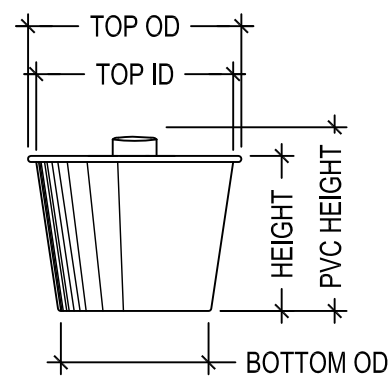
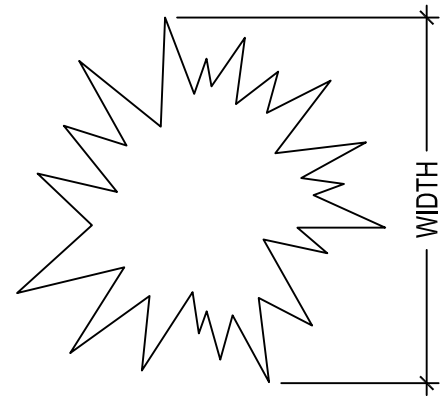


Commercial Silk Int'l



A division of Plantscape Inc.
 800-241-2718 952-934-7666 fax 952-934-3807
 6300 Bury Drive, Minneapolis, MN 55346 USA
 www.commercialsilk.com

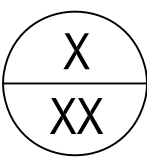


STANDARD BASE UNIT

| TREE | | | | | | | | | |
|---------|---------|--------|------------|-----------------|--------------------|---------|------------|---------|-------------|
| ITEM ID | HEIGHT: | WIDTH: | STEM TYPE: | FOLIAGE HEIGHT: | STANDARD BASE UNIT | | | | |
| | | | | | TOP OD: | TOP ID: | BOTTOM OD: | HEIGHT: | PVC HEIGHT: |
| PRM1X0 | 10' | 52" | SINGLE | 3' | 16 1/2" | 15 1/4" | 13 1/2" | 14 1/4" | 17" |
| PRM1X2 | 12' | 60" | SINGLE | 4' | 16 1/2" | 15 1/4" | 13 1/2" | 14 1/4" | 17" |
| PRM1X4 | 14' | 72" | SINGLE | 5' | 22 1/4" | 20" | 17" | 17 1/2" | 19" |
| PRM1X6 | 16' | 84" | SINGLE | 6' | 22 1/4" | 20" | 17" | 17 1/2" | 19" |
| PRM1X8 | 18' | 96" | SINGLE | 7' | 22 1/4" | 20" | 17" | 17 1/2" | 19" |
| PRM1Y0 | 20' | 108" | SINGLE | 8' | 29 1/2" | 24" | 21" | 18 1/2" | 22" |

NOTES:

1. BOTANICALLY CORRECT IFR™ (INHERENTLY FIRE RETARDANT) ARTIFICIAL FOLIAGE SHALL COMPLY WITH CALIFORNIA TITLE 19, US GOV SIN 4722-06 FLAMMABILITY CODE, NFPA 701, NFPA 705, AND QUALIFY AS "CLASS A" FIRE RETARDANT MATERIAL AS TESTED BY ASTM E84-95.



LARGE ARTIFICIAL TREE – ROCKY MOUNTAIN PINE

NOT TO SCALE