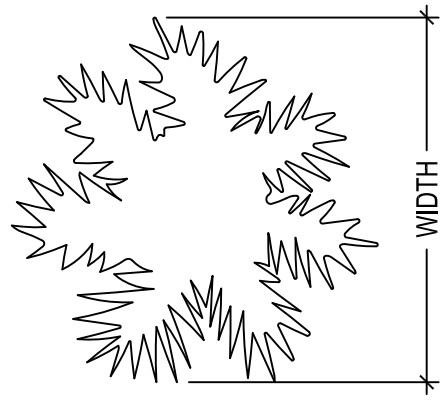


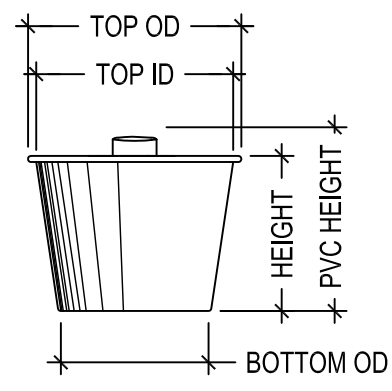
Commercial Silk Int'l



A division of Plantscape Inc.
 800-241-2718 952-934-7666 fax 952-934-3807
 6300 Bury Drive, Minneapolis, MN 55346 USA
 www.commercialsilk.com



PLAN

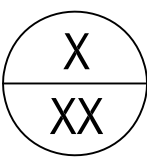


STANDARD BASE UNIT

TREE									
ITEM ID	HEIGHT:	WIDTH:	STEM TYPE:	FOLIAGE HEIGHT:	STANDARD BASE UNIT				
					TOP OD:	TOP ID:	BOTTOM OD:	HEIGHT:	PVC HEIGHT:
PWH1X0	10'	4.5'	SINGLE	3'	16 1/2"	15 1/4"	13 1/2"	14 1/4"	17"
PWH1X2	12'	5'	SINGLE	4'	16 1/2"	15 1/4"	13 1/2"	14 1/4"	17"
PWH1X4	14'	6'	SINGLE	5'	22 1/4"	20"	17"	17 1/2"	19"
PWH1X6	16'	7'	SINGLE	6'	22 1/4"	20"	17"	17 1/2"	19"
PWH1X8	18'	8'	SINGLE	7'	22 1/4"	20"	17"	17 1/2"	19"
PWH1Y0	20'	9'	SINGLE	8'	29 1/2"	24"	21"	18 1/2"	22"

NOTES:

1. BOTANICALLY CORRECT IFR™ (INHERENTLY FIRE RETARDANT) ARTIFICIAL FOLIAGE SHALL COMPLY WITH CALIFORNIA TITLE 19, US GOV SIN 4722-06 FLAMMABILITY CODE, NFPA 701, NFPA 705, AND QUALIFY AS "CLASS A" FIRE RETARDANT MATERIAL AS TESTED BY ASTM E84-95.



LARGE ARTIFICIAL TREE – WHITE PINE

NOT TO SCALE